

Part Number Designation :

S - M3 - 2 ZI

↓ ↓ ↓ ↓

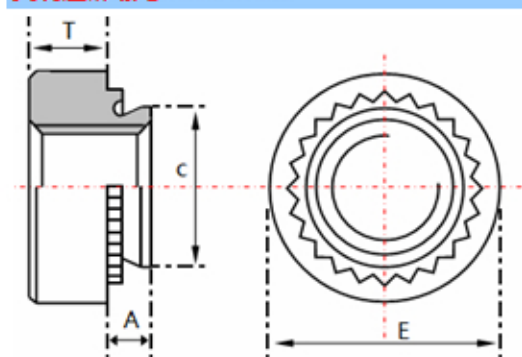
型号 螺纹 规格 镀层

尺寸 代号 代号



单位尺寸 : MM, All Dimensions are in millimeters

螺纹*牙距	型号TYPE			螺纹尺寸	规格代号	A Max	最小板厚	板孔径 +0.08	C -0.13	E ±0.25	T ±0.1	最小边距
	碳钢	不锈钢	不锈铁									
M2*0.4	S	CLS	SP	M2	00	0.57	0.6	4.22	4.2	6.35	1.5	4.8
					0	0.77	0.8					
					1	0.97	1					
					2	1.38	1.4					
					3	1.95	2					
M2.5*0.45	S	CLS	SP	M2.5	00	0.57	0.6	4.22	4.2	6.35	1.5	4.8
					0	0.77	0.8					
					1	0.97	1					
					2	1.38	1.4					
					3	1.95	2					
M3*0.5	S	CLS	SP	M3	00	0.57	0.6	4.22	4.2	6.35	1.5	4.8
					0	0.77	0.8					
					1	0.97	1					
					2	1.38	1.4					
					3	1.95	2					
M3.5*0.6	S	CLS	SP	M3.5	00	0.57	0.6	4.75	4.73	7.11	1.5	5.6
					0	0.77	0.8					
					1	0.97	1					
					2	1.38	1.4					
					3	1.95	2					
M4*0.7	S	CLS	SP	M4	00	0.57	0.6	5.41	5.38	7.87	2	6.9
					0	0.77	0.8					
					1	0.97	1					
					2	1.38	1.4					
					3	1.95	2					
M5*0.8	S	CLS	SP	M5	00	0.57	0.6	6.35	6.33	8.64	2	7.1
					0	0.77	0.8					
					1	0.97	1					
					2	1.38	1.4					
					3	1.95	2					
M6*1	S	CLS	SP	M6	000	0.77	0.8	8.75	8.73	11.18	4.08	8.6
					00	0.89	0.92					
					0	1.15	1.2					
					1	1.38	1.4					
					1.9mm	1.9	1.95					
					2	2.21	2.3					
					3	2.95	3					
M8*1.25	S	CLS	SP	M8	00	0.97	1	10.5	10.47	12.7	5.47	9.7
					0	1.15	1.2					
					1	1.38	1.4					
					2	2.21	2.3					
					3	2.95	3					
M10*1.5	S	CLS	SP	M10	00	1.38	1.4	14	13.97	17.35	7.48	13.5
					0	1.6	1.7					
					1	2.21	2.3					
					2	3.05	3.18					
					2	3.05	3.18					
M12*1.75	S	/	/	M12	00	1.57	1.6	17	16.98	20.57	8.5	16
					0	2.21	2.3					
					1	3.05	3.18					
					1	3.05	3.18					
					2	5.65	5.8					



Part Number Designation :

S - 440 - 2 ZI
 ↓ ↓ ↓ ↓
 型号 螺纹 规格 镀层
 尺寸 代号 代号



单位尺寸：英寸，All Dimensions are in inches

螺纹尺寸	型号TYPE			螺纹尺寸	规格代号	A Max	最小板厚	板孔径 +.003	C -.004	E ±.01	T ±.004	最小边距
	碳钢	不锈钢	不锈铁									
.086-56 (#2-56)	S	CLS	SP	256	0	.030	.030	.166	.165	.250	.070	.19
					1	.038	.040					
					2	.054	.056					
.099-48 (#3-48)	S	CLS	SP	348	0	.030	.030	.166	.165	.250	.070	.19
					1	.038	.040					
					2	.054	.056					
.112-40 (#4-40)	S	CLS	SP	440	0	.030	.030	.166	.165	.250	.070	.19
					1	.038	.040					
					2	.054	.056					
					3	.087	.091					
.138-32 (#6-32)	S	CLS	SP	632	0	.030	.030	.1875	.187	.275	.070	.22
					1	.038	.040					
					2	.054	.056					
					3	.087	.091					
.164-32 (#8-32)	S	CLS	SP	832	0	.030	.030	.213	.212	.315	.090	.27
					1	.038	.040					
					2	.054	.056					
					3	.087	.091					
.190-24 (#10-24)	S	CLS	SP	024	0	.030	.030	.250	.249	.340	.090	.28
					1	.038	.040					
					2	.054	.056					
					3	.087	.091					
.190-32 (#10-32)	S	CLS	SP	032	0	.030	.030	.250	.249	.340	.090	.28
					1	.038	.040					
					2	.054	.056					
					3	.087	.091					
.216-24 (#12-24)	S	CLS	SP	1224	1	.038	.040	.277	.276	.374	.130	.31
					2	.054	.056					
					3	.087	.091					
.250-20 (1/4-20)	S	CLS	SP	0420	0	.045	.047	.344	.343	.433	.170	.34
					1	.054	.056					
					2	.087	.091					
					3	.120	.125					
.313-18 (5/16-18)	S	CLS	SP	0518	1	.054	.056	.413	.412	.500	.230	.38
					2	.087	.091					
					3	.120	.125					
.313-24 (5/16-24)	S	CLS	SP	0524	1	.054	.056	.413	.412	.500	.230	.38
					2	.087	.091					
					3	.120	.125					
.375-16 (3/8-16)	S	CLS	SP	0616	1	.087	.091	.500	.499	.550	.270	.44
					2	.120	.125					
					3	.235	.250					
.375-24 (3/8-24)	S	CLS	SP	0624	1	.087	.091	.500	.499	.550	.270	.44
					2	.120	.125					
					3	.235	.250					
.500-13 (1/2-13)	S	CLS	SP	0813	1	.120	.125	.656	.655	.810	.360	.63
					2	.235	.250					
.500-20 (1/2-20)	S	CLS	SP	0820	1	.120	.125	.656	.655	.810	.360	.63
					2	.235	.250					